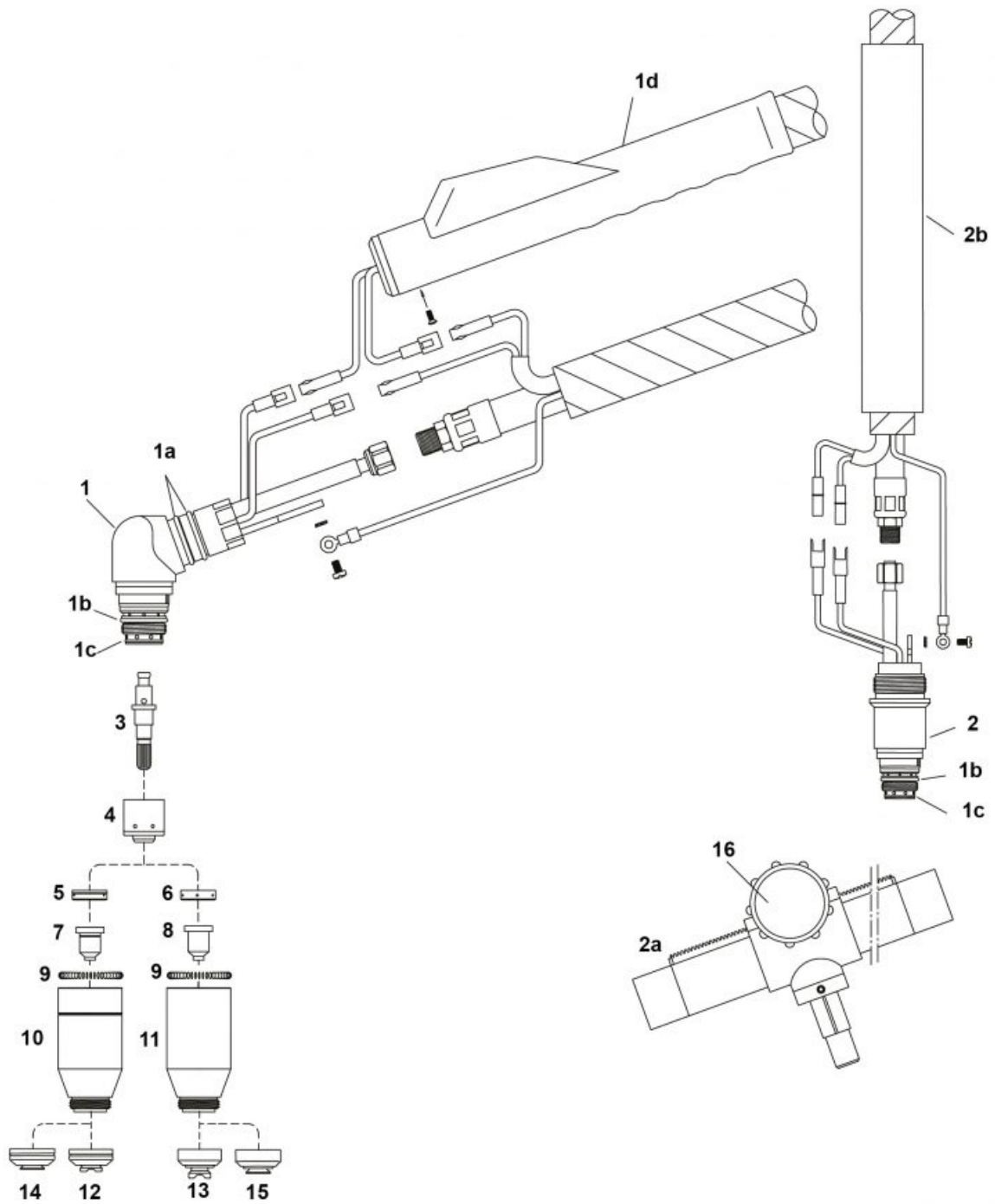


PLAZMA - Consumables - UNITORCH™ - EL120H-HY / EL120M-HY



| Lp. | Product code | [H] | [M] | Product name | Net price |
|-----|--------------|-----|-----|----------------------------|-----------|
| 1 | 07920 | : | : | Torch head | 190.90 € |
| 1a | 07100.53 | ■ | | O-ring | 0.96 € |
| 1b | NW07300.60 | ■ | ■ | O-ring | 0.96 € |
| 1c | 07920.60 | : | : | O-ring | 0.96 € |
| 1d | 07106E | : | : | Handle with microswitch | 24.18 € |
| 2 | 07921 | : | : | Machine torch head | 213.69 € |
| 2a | 07216 | : | : | Positioning tube with rack | 119.22 € |
| 2b | 07215 | | ■ | Machine handle | 47.44 € |

| Lp. | Product code | [H] | [M] | Product name | Net price |
|-----|--------------|-----|-----|--------------------------------------|-----------|
| 3 | NW52600 | : | : | Electrode, Air/N2 | 3.93 € |
| 4 | 07923 | : | : | Start cartridge 30-120A (without HF) | 25.31 € |
| 5 | 60060 | : | : | Gas distributor 30-60A | 8.08 € |
| 6 | 60061 | : | : | Gas distributor 60-120A | 8.67 € |
| 7 | 51470 | : | : | Tip cutting 30A | 2.06 € |
| | 51471 | : | : | Tip cutting 40A | 2.06 € |
| | 51472 | : | : | Tip cutting 50-60A | 2.06 € |
| 8 | 51474 | : | : | Tip cutting 60A | 2.06 € |
| | 51475 | : | : | Tip cutting 70A | 2.06 € |
| | 51476 | : | : | Tip cutting 80A | 2.06 € |
| | 51477 | : | : | Tip cutting 90-100A | 2.06 € |
| | 51478 | : | : | Tip cutting 120A | 2.06 € |
| 9 | 60442 | ■ | ■ | Coil spring | 1.24 € |
| | 60482/S | : | : | Shield cap body 30-60A Max Life | 22.99 € |
| 11 | 60483 | : | : | Shield cap body 60-120A | 14.84 € |
| | 60483/S | : | : | Shield cap body 60-120A Max Life | 23.32 € |
| 12 | 60485 | ■ | | Shield cap, hand 30-60A | 8.60 € |
| 13 | 60486 | : | : | Shield cap, hand 60-120A | 8.96 € |
| 14 | 07217 | : | : | Mounting block | |
| 16 | 7-2827 | : | : | Pinion assembly | |
| | 09080 | : | : | Lead assembly 6m [H] (9/16") | 170.23 € |
| | 09085 | : | : | Lead assembly 12m [H] (9/16") | 317.90 € |
| | 09090 | : | : | Lead assembly 6m [M] (9/16") | 187.26 € |
| | 09095 | : | : | Lead assembly 12m [M] (9/16") | 317.90 € |

[H] - parts apply to hand torch,
 [M] - parts apply to machine torch

NW ® is independent subject and not connected to ABITIG®, AMPHENOL®, ASPA®, BESTER®, BINZEL®, CEA®, CEBORA®, ESAB®, EWM®, FALTIG®, FRO®, FRONIUS®, HARRIS®, HYPERTHERM®, KJELLBERG®, L-TEC®, LINCOLN®, MAGNUM®, OTC®, SAF®, SHERMAN®, TELWIN®, THERMAL DYNAMICS®, TRAFIMET®, TUCHEL®.

Reference numbers and names belonged to above companies were called due to Property Right Law for buyer's convenience and they are related to code and spare part's description.

The products do not constitute an offer within the meaning of the Civil Code.