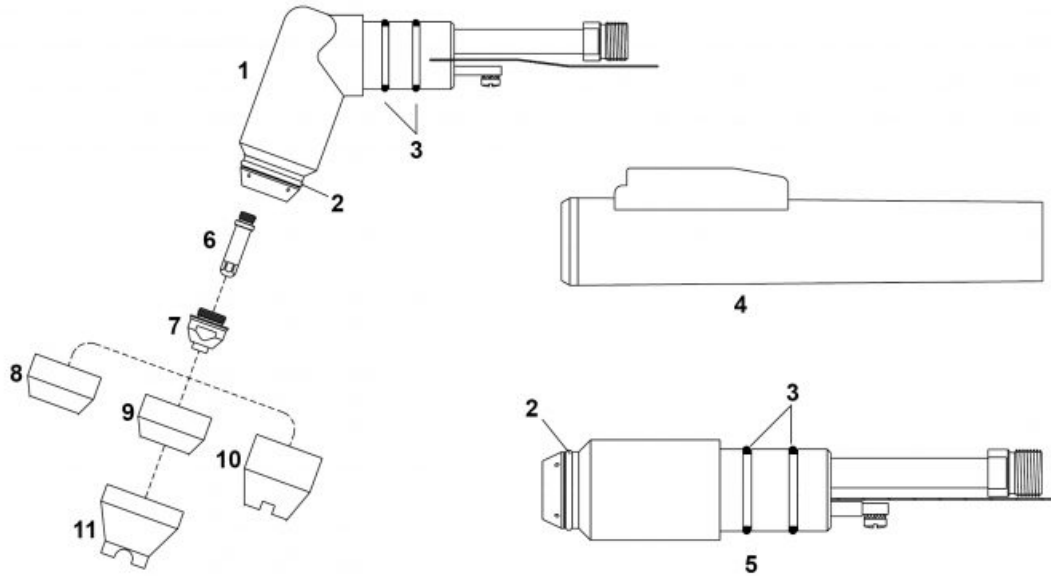


PLAZMA - Consumables - THERMAL DYNAMICS® - PCH/M-51 / 4Xi 6Xi / Pak-3XP/5XR/5XT/6XR/7XR/625XR/750XR®



Lp.	Product code	Nr ref.	Product name	Net price
1	07100		Torch head 70°	148.53 €
2	NW02000.60		O-ring	0.96 €
3	07100.53		O-ring	0.96 €
4	07103		Handgrip with microswitch	21.54 €
5	07110		Torch head 180°	143.64 €
6	52517		Electrode	2.03 €
7	51117		Tip fi 0.96 10-40A	1.90 €
	51115		Tip fi 1.10 10-60A	1.90 €
	51115.12		Tip fi 1.20 65A	1.90 €
	51116		Gouging tip fi 2.0	1.90 €
8	80010		Shield cap, ceramic	2.75 €
9	60416		Shield cap, phenolic std.	2.17 €
10	80011		Shield cap, crown, ceramic	3.04 €
11	60341		Shield cap, crown, metal	11.87 €

NW ® is independent subject and not connected to ABITIG®, AMPHENOL®, ASPA®, BESTER®, BINZEL®, CEA®, CEBORA®, ESAB®, EWM®, FALTIG®, FRO®, FRONIUS®, HARRIS®, HYPERTHERM®, KJELLBERG®, L-TEC®, LINCOLN®, MAGNUM®, OTC®, SAF®, SHERMAN®, TELWIN®, THERMAL DYNAMICS®, TRAFIMET®, TUCHEL®.

Reference numbers and names belonged to above companies were called due to Property Right Law for buyer's convenience and they are related to code and spare part's description.

The products do not constitute an offer within the meaning of the Civil Code.