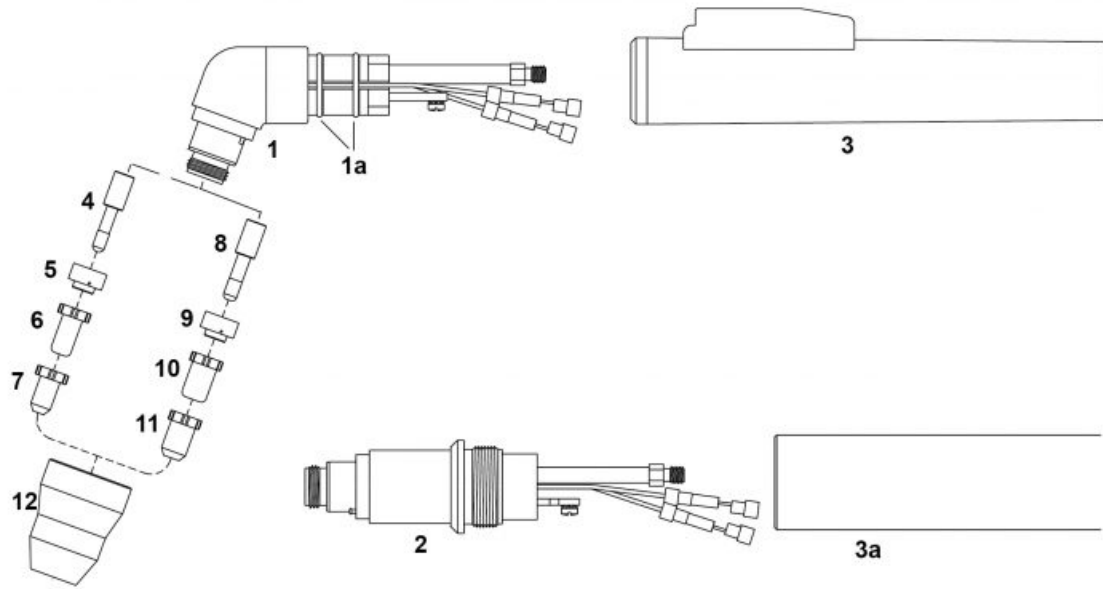


## PLAZMA – Consumables – THERMAL DYNAMICS® – PCH-25/26/28/38 PCH/M-35/40®



Lp.	Product code	Nr ref.	Product name	Net price
1	07037		Torch head 70°	128.26 €
	07035		Torch head 70°	128.26 €
1a	07100.53		O-ring	0.96 €
2	07038		Torch head 180°	179.79 €
3	07103		Handgrip with microswitch	21.54 €
3a	07215		Machine handle	47.44 €
4	52519/D		Electrode	2.50 €
	52519		Electrode OEM style	2.81 €
5	60050		Gas distributor	
6	51290		Tip 35A	2.79 €
	51292		Gouging tip	1.59 €
7	51291		Air Tip Drag	1.59 €
	51286		Air Tip	1.59 €
8	52523/D		Electrode Long Life	2.52 €
	52523		Electrode (OEM style) Long Life	2.83 €
9	60051		Gas distributor Long Life	7.98 €
10	51288		Tip Standoff Long Life	1.59 €
11	51289		Tip Drag Long Life	2.50 €
12	60347		Shield cap	6.33 €

NW® is independent subject and not connected to ABITIG®, AMPHENOL®, ASPA®, BESTER®, BINZEL®, CEA®, CEBORA®, ESAB®, EWM®, FALTIG®, FRO®, FRONIUS®, HARRIS®, HYPER THERM®, KJELLBERG®, L-TEC®, LINCOLN®, MAGNUM®, OTC®, SAF®, SHERMAN®, TELWIN®, THERMAL DYNAMICS®, TRAFIMET®, TUCHEL®.

Reference numbers and names belonged to above companies were called due to Property Right Law for buyer's convenience and they are related to code and spare part's description.

The products do not constitute an offer within the meaning of the Civil Code.