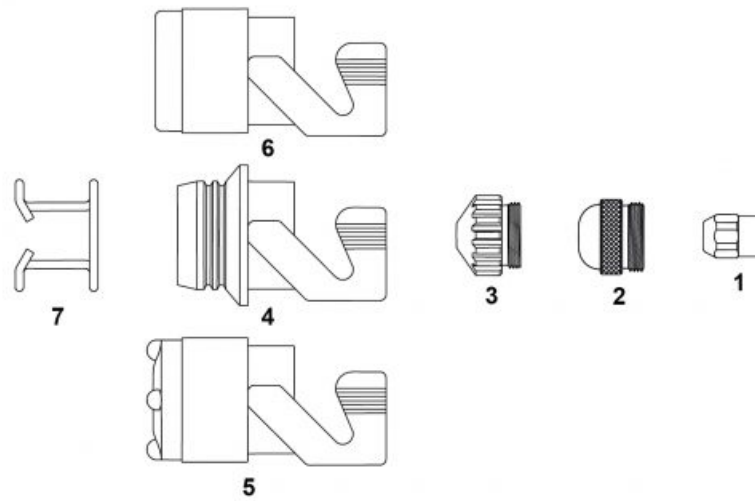


## PLAZMA – Consumables – SAF® / FRO® – CP-40R CP-100R®



Lp.	Product code	Nr ref.	Product name	Net price
1	NW52514		Electrode Hf	2.87 €
	NW52014		Electrode Zr	2.06 €
2	51103		Tip 20-40A	2.16 €
3	51104		Tip fi 1.0	2.65 €
	51105		Tip fi 1.2	2.65 €
	51118		Tip fi 1.6	2.65 €
4	60426		Protection nozzle guide	9.07 €
5	60427		Ceramic assembly with bosses	10.60 €
6	60428		Ceramic guide	10.60 €
7	NW51901		Spacer spring	2.33 €

NW ® is independent subject and not connected to ABITIG®, AMPHENOL®, ASPA®, BESTER®, BINZEL®, CEA®, CEBOA®, ESAB®, EWM®, FALTIG®, FRO®, FRONIUS®, HARRIS®, HYPERTHERM®, KJELLBERG®, L-TEC®, LINCOLN®, MAGNUM®, OTC®, SAF®, SHERMAN®, TELWIN®, THERMAL DYNAMICS®, TRAFIMET®, TUCHEL®.

Reference numbers and names belonged to above companies were called due to Property Right Law for buyer's convenience and they are related to code and spare part's description.

The products do not constitute an offer within the meaning of the Civil Code.