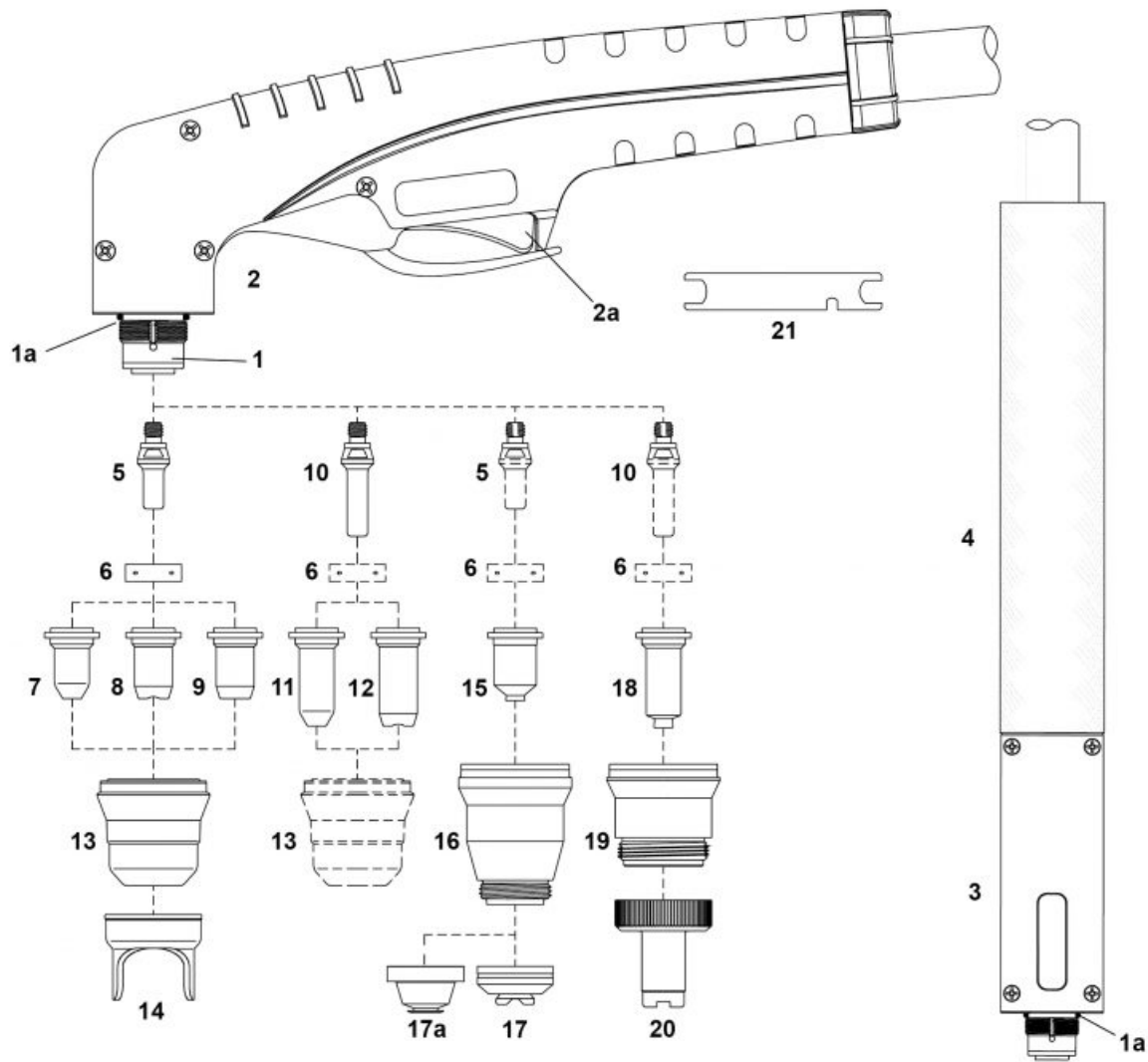


PLAZMA - Consumables - PT™ - PT60H™ / PT60M™



Lp.	Product code	[H]	[M]	Product name	Net price
1	09603	:	:	Hand torch head	96.04 €
1a	NW51620.60	■	■	O-ring	0.96 €
2	NW09605	■		Handle with microswitch	18.65 €
2a	NW07301.20	■		Microswitch	2.86 €
3	09613	:	:	Machine torch head	136.22 €
4	NW07218		■	Machine handle	53.34 €
4a	NW07219		■	Fiberglass positioning tube with rack	125.53 €
5	52582	:	:	Electrode	2.59 €
6	NW60028	■	■	Swirl ring	7.28 €
7	51318.06	:	:	Contact tip fi 0.65 10-20A	2.08 €
	51318.08	:	:	Contact tip fi 0.8 20-30A	2.08 €
	51318.09	:	:	Contact tip fi 0.9 30-40A	2.08 €
8	NW51312P.09	:	:	Contact tip fi 0.9 30-40A	2.41 €
9	51313P.10	:	:	Flat contact tip fi 1.0 40-50A	2.04 €
	51313P.11	:	:	Flat contact tip fi 1.1 50-60A	2.04 €

Lp.	Product code	[H]	[M]	Product name	Net price
10	52583	:	:	Extended electrode	2.81 €
11	51318L.06	■		Extended contact tip fi 0.65 10-20A	2.84 €
	51318L.08	■		Extended contact tip fi 0.8 20-30A	2.84 €
12	51314.09	:	:	Extended contact tip fi 0.9 30-40A	3.21 €
13	NW60389	■	■	Retaining cap	7.62 €
	NW60389S	:	:	Shield cap Max Life	13.70 €
14	60432	:	:	Double pointed spacer	6.92 €
15	51318C.09	:	:	Contact tip fi 0.9 30-40A	3.02 €
	51318C.10	:	:	Contact tip fi 1.0 40-50A	3.02 €
	51318C.11	:	:	Contact tip fi 1.1 50-60A	3.02 €
16	60389C	:	:	Shield cap	17.22 €
17	60485	■		Shield cap, hand 30-60A	8.60 €
17a	60487		■	Shield cap, machine 30-60A	7.91 €
18	51318LC.09	:	:	Extended contact tip 40A	4.75 €
	51318LC.10	:	:	Extended contact tip 50A	4.75 €
	51318LC.11	:	:	Extended contact tip 60A	4.75 €
19	60389LC	:	:	Shield cap	
20	60512L	:	:	Shield cap body	
21	NW60368	■	■	Wrench for electrode	2.63 €
	09686	:	:	Lead assembly 6m [H] A	136.66 €
	09686CX	:	:	Lead assembly 6m [H] A (coaxial cable)	136.66 €
	09688	■		Cable 6m, PT40, 1/4G	108.27 €
	09688CX	:	:	Lead assembly 6m [H] (1/4") B (coaxial cable)	166.85 €
	09690		■	Lead assembly 4m [M] (1/4") B	106.96 €
	09690CX		■	Lead assembly 4m [M] (1/4") B (coaxial cable)	152.94 €

[H] - parts apply to hand torch,
 [M] - parts apply to machine torch

NW ® is independent subject and not connected to ABITIG®, AMPHENOL®, ASPA®, BESTER®, BINZEL®, CEA®, CEBORA®, ESAB®, EWM®, FALTIG®, FRO®, FRONIUS®, HARRIS®, HYPERTHERM®, KJELLBERG®, L-TEC®, LINCOLN®, MAGNUM®, OTC®, SAF®, SHERMAN®, TELWIN®, THERMAL DYNAMICS®, TRAFIMET®, TUCHEL®.

Reference numbers and names belonged to above companies were called due to Property Right Law for buyer's convenience and they are related to code and spare part's description.

The products do not constitute an offer within the meaning of the Civil Code.