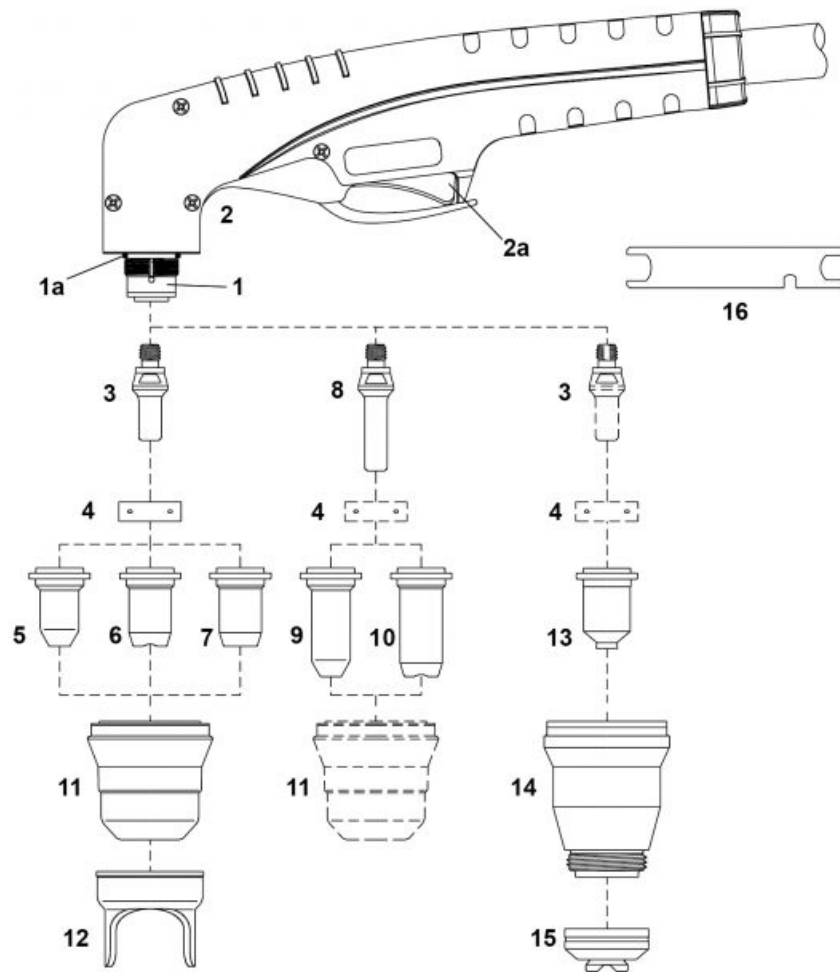


PLAZMA - Consumables- PT™ - PT40™



Lp.	Product code	Product name	Net price
1	NW09602KIT	70° Torch head [PT-40/20C] with handle	125.29 €
1a	NW51620.60	O-ring	1.05 €
2	NW09605	Handle with microswitch	19.89 €
2a	NW07301.20	Microswitch	3.14 €
3	52582	Electrode	2.85 €
4	NW60028	Swirl ring	8.00 €
5	51318.06	Contact tip fi 0.65 10-20A	2.28 €
	51318.08	Contact tip fi 0.8 20-30A	2.28 €
	51318.09	Contact tip fi 0.9 30-40A	2.28 €
6	NW51312P.09	Contact tip fi 0.9 30-40A	2.65 €
7	51313P.09	Dysza płaska fi0.9 30-40A	2.25 €
	51313P.10	Flat contact tip fi 1.0 40-50A	2.25 €
8	52583	Extended electrode	3.09 €
9	51318L.06	Extended contact tip fi 0.65 10-20A	3.12 €
	51318L.08	Extended contact tip fi 0.8 20-30A	3.12 €
10	51314.09	Extended contact tip fi 0.9 30-40A	3.53 €
11	NW60389	Retaining cap (6 holes) [PT-40/60, S25/K/30/K/45]	8.37 €

Lp.	Product code	Product name	Net price
	NW60389S	Shield cap Max Life	15.05 €
12	60432	Double pointed spacer	7.61 €
13	51318C.09	Contact tip fi 0.9 30-40A	3.32 €
	51318C.10	Contact tip fi 1.0 40-50A	3.32 €
14	60389C	Shield cap	18.92 €
15	60485	Shield cap, hand 30-60A	9.45 €
16	NW60368	Wrench for electrode	2.89 €
	09675	Lead assembly 4m [H] A	91.19 €
	09685CX	Lead assembly 4m [H] A (coaxial cable)	136.83 €
	09676	Lead assembly 6m [H] A	102.88 €
	09686CX	Lead assembly 6m [H] A (coaxial cable)	150.16 €
	09677	Lead assembly 4m [H] B	92.58 €
	09687CX	Lead assembly 4m [H] B (coaxial cable)	133.85 €
	09678	Lead assembly 6m [H] B	111.02 €
	09689CX	Lead assembly 6m [H] B (coaxial cable)	

NW ® is independent subject and not connected to ABITIG®, AMPHENOL®, ASPA®, BESTER®, BINZEL®, CEA®, CEBORA®, ESAB®, EWM®, FALTIG®, FRO®, FRONIUS®, HARRIS®, HYPERTHERM®, KJELLBERG®, L-TEC®, LINCOLN®, MAGNUM®, OTC®, SAF®, SHERMAN®, TELWIN®, THERMAL DYNAMICS®, TRAFIMET®, TUCHEL®.

Reference numbers and names belonged to above companies were called due to Property Right Law for buyer's convenience and they are related to code and spare part's description.

The products do not constitute an offer within the meaning of the Civil Code.