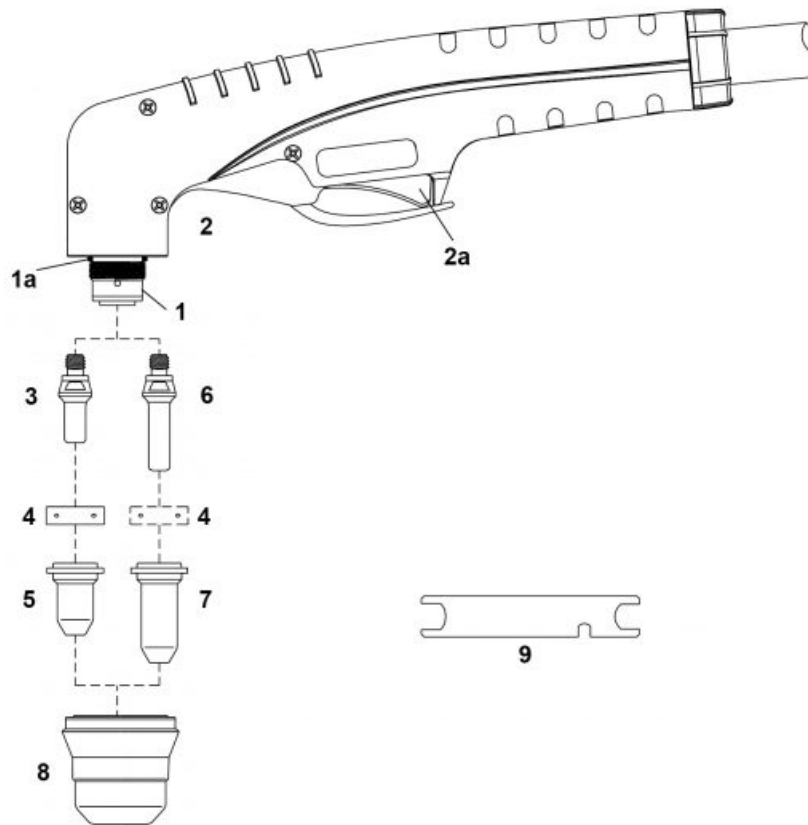


PLAZMA – Consumables – PT™ – PT20C™ / PT25C™



Lp.	Product code	Product name	Net price
1	09600	Hand torch head	105.16 €
1a	NW51620.60	O-ring	0.99 €
2	NW09605	Handle with microswitch	18.65 €
2a	NW07301.20	Microswitch	2.94 €
3	52582	Electrode	2.67 €
4	NW60028	Swirl ring	7.50 €
5	51318.06	Contact tip fi 0.65 10-20A	2.14 €
6	52583	Extended electrode	2.90 €
7	51318L.06	Extended contact tip fi 0.65 10-20A	2.92 €
	51318L.08	Extended contact tip fi 0.8 20-30A	2.92 €
8	NW60389K1	Shield cap (single)	7.53 €
	NW60389K	Shield cap (double)	7.60 €
9	NW60368	Wrench for electrode	2.71 €
	09680	Lead assembly 4m [H] A	71.44 €
	09680CX	Lead assembly 4m [H] A (coaxial cable)	95.74 €
	09682	Lead assembly 4m [H] B	75.20 €
	09682CX	Lead assembly 4m [H] B (coaxial cable)	96.64 €

NW ® is independent subject and not connected to ABITIG®, AMPHENOL®, ASPA®, BESTER®, BINZEL®, CEA®, CEBORA®, ESAB®, EWM®, FALTIG®, FRO®, FRONIUS®, HARRIS®, HYPER THERM®, KJELLBERG®, L-TEC®, LINCOLN®, MAGNUM®, OTC®, SAF®, SHERMAN®, TELWIN®, THERMAL DYNAMICS®, TRAFIMET®, TUCHEL®.

Reference numbers and names belonged to above companies were called due to Property Right Law for buyer's convenience and they are related to code and spare part's description.

The products do not constitute an offer within the meaning of the Civil Code.