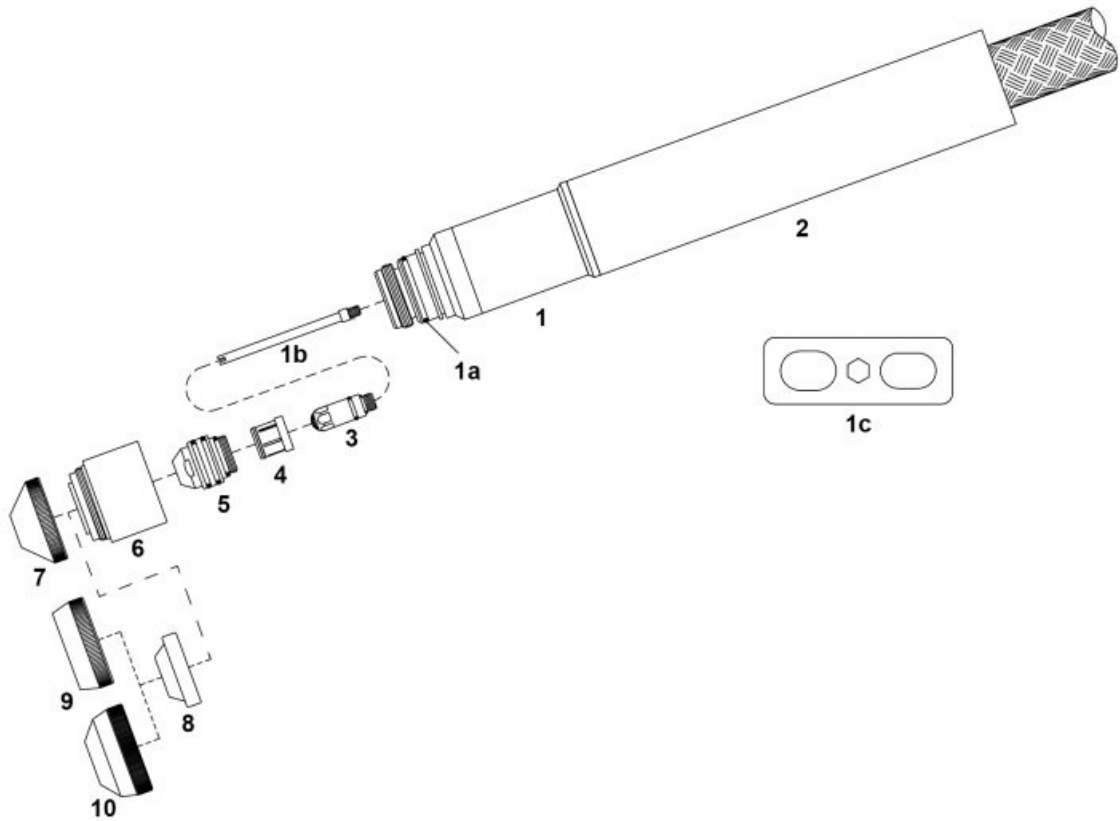


## PLAZMA - Consumables - PT™ - M250BW™



Lp.	Product code	Product name	Net price
1	08310	Machine torch head	642.31 €
1a	60341.41	O-ring	1.17 €
1b	08200.43	Water cooling tube	27.93 €
1c	08200.54	Wrench for electrode	11.81 €
2	08215	Machine handle	117.90 €
3	52614L	Electrode 50-150A (Air/N2)	11.59 €
	52614	Electrode	11.59 €
	52615	Electrode (O2)	11.07 €
	52616	Electrode (N2)	11.51 €
	52617	Electrode 50-250A (Ar/H2)	10.75 €
4	60052	Swirl ring 50-250A	29.54 €
5	51350	Contact tip 50A	10.53 €
	51351	Contact tip 100A	10.03 €
	51352	Contact tip 150A	10.53 €
	51353	Contact tip 200A	10.53 €
	51354	Contact tip 250A	10.53 €
6	60396S	Shield cap	57.34 €
	60398	Shield cap Max Life	85.26 €
7	51990	Shield cap body 50A	17.69 €
	51991	Shield cap body 100-250A	17.69 €
	51992	Shield cap body 300A	15.44 €

Lp.	Product code	Product name	Net price
8	80023	Ring (non-conductive)	58.19 €
9	51994	Shield cap body	14.01 €
10	51997	Shield cap body machine	15.80 €
	08390	Lead assembly 7.5m (connection 5/8")	606.50 €
	08395	Lead assembly 15m (connection 5/8")	975.73 €

NW ® is independent subject and not connected to ABITIG®, AMPHENOL®, ASPA®, BESTER®, BINZEL®, CEA®, CEBORA®, ESAB®, EWM®, FALTIG®, FRO®, FRONIUS®, HARRIS®, HYPERTHERM®, KJELLBERG®, L-TEC®, LINCOLN®, MAGNUM®, OTC®, SAF®, SHERMAN®, TELWIN®, THERMAL DYNAMICS®, TRAFIMET®, TUCHEL®.

Reference numbers and names belonged to above companies were called due to Property Right Law for buyer's convenience and they are related to code and spare part's description.

The products do not constitute an offer within the meaning of the Civil Code.