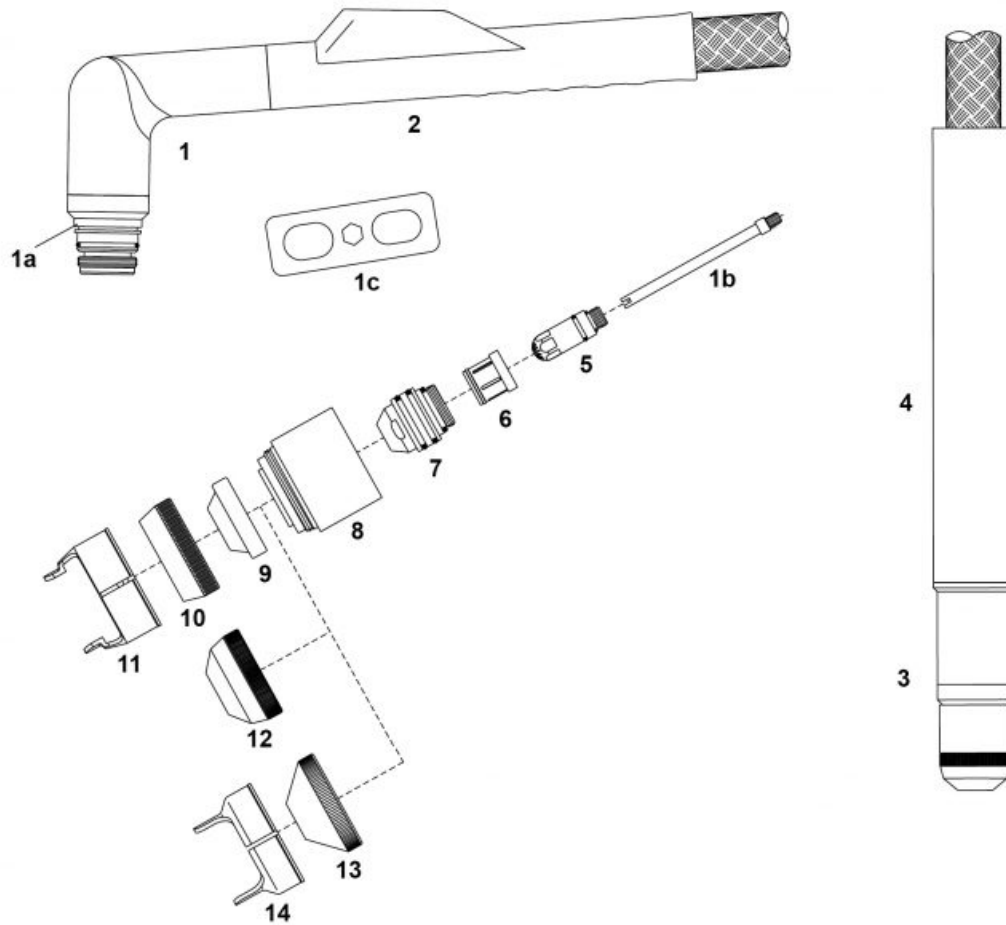


PLAZMA - Consumables - PT™ - H250W™ / M250W™



Lp.	Product code	[H]	[M]	Product name	Net price
1	08200	:	:	Hand torch head	632.90 €
1a	60341.41	■	■	O-ring	1.17 €
1b	08200.43	:	:	Water cooling tube	27.93 €
1c	08200.54	:	:	Wrench for electrode	11.81 €
2	07109E	:	:	Handle with microswitch	23.02 €
3	08210	:	:	Machine torch head	597.63 €
4	08215	:	:	Machine handle	117.90 €
5	52614L	:	:	Electrode 50-150A (Air/N2)	11.59 €
	52614	■	■	Electrode	11.59 €
6	60052	■	■	Swirl ring 50-250A	29.54 €
7	51350	■	■	Contact tip 50A	10.53 €
	51351	■	■	Contact tip 100A	10.03 €
	51352	■	■	Contact tip 150A	10.53 €
	51353	■	■	Contact tip 200A	10.53 €
	51354	■	■	Contact tip 250A	10.53 €
8	60396S	■	■	Shield cap	57.34 €
	60398	:	:	Shield cap Max Life	85.26 €
9	80023	■	■	Ring (non-conductive)	58.19 €
10	51994	■	■	Shield cap body	14.01 €

Lp.	Product code	[H]	[M]	Product name	Net price
11	51996	:	:	Double pointed spacer	21.63 €
12	51997		█	Shield cap body machine	15.80 €
13	51990	█	█	Shield cap body 50A	17.69 €
	51991	█	█	Shield cap body 100-250A	17.69 €
	51992	█	█	Shield cap body 300A	15.44 €
14	51995	:	:	Double pointed spacer	18.53 €
	08280	:	:	Lead assembly 7.5m [H] (connection 5/8")	580.51 €
	08285	:	:	Lead assembly 15m [H] (connection 5/8")	917.17 €
	08281	:	:	Lead assembly 7.5m [H] (central connector)	695.36 €
	08286	:	:	Lead assembly 15m [H] (central connector)	1032.01 €
	08290	:	:	Lead assembly 7.5m [M] (connection 5/8")	550.56 €
	08295	:	:	Lead assembly 15m [M] (connection 5/8")	866.15 €
	08291	:	:	Lead assembly 7.5m [M] (central connector)	666.36 €
	08296	:	:	Lead assembly 15m [M] (central connector)	981.22 €

[H] - parts apply to hand torch,
 [M] - parts apply to machine torch

NW ® is independent subject and not connected to ABITIG®, AMPHENOL®, ASPA®, BESTER®, BINZEL®, CEA®, CEBORA®, ESAB®, EWM®, FALTIG®, FRO®, FRONIUS®, HARRIS®, HYPERTHERM®, KJELLBERG®, L-TEC®, LINCOLN®, MAGNUM®, OTC®, SAF®, SHERMAN®, TELWIN®, THERMAL DYNAMICS®, TRAFIMET®, TUCHEL®.

Reference numbers and names belonged to above companies were called due to Property Right Law for buyer's convenience and they are related to code and spare part's description.

The products do not constitute an offer within the meaning of the Civil Code.