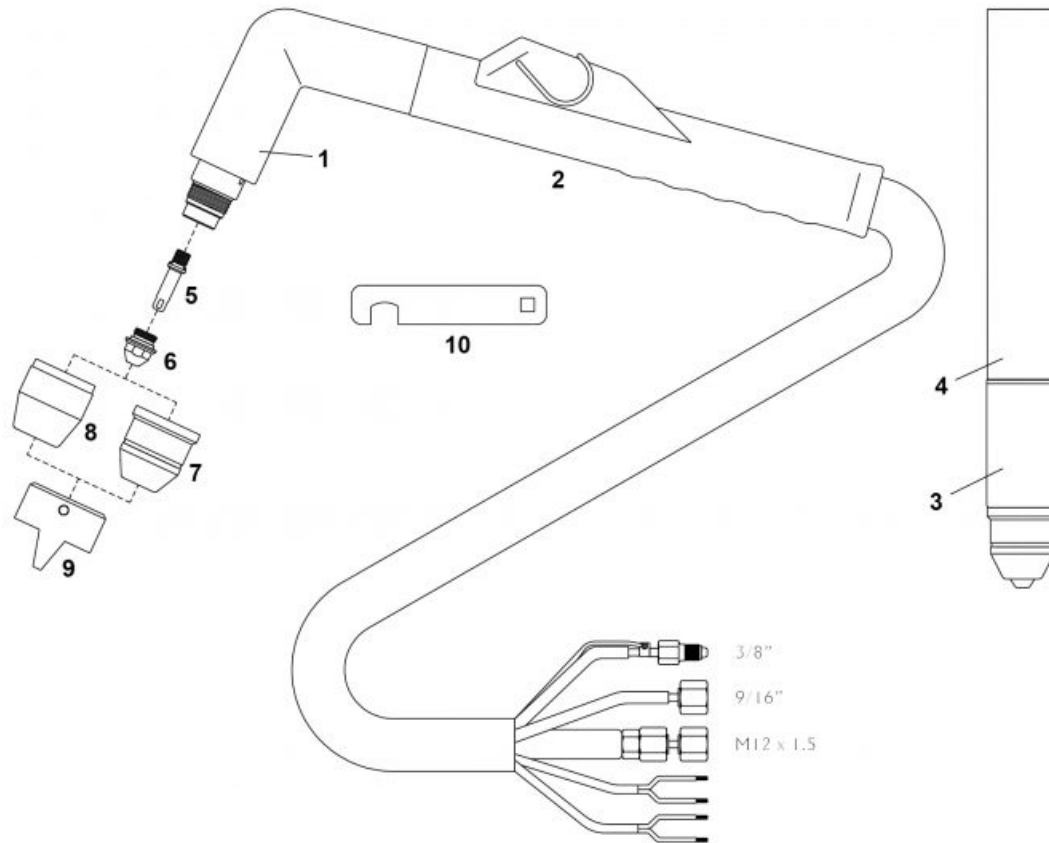


## PLAZMA - Consumables - OTC® - D-12000®



Lp.	Product code	Nr ref.	[H]	[M]	Product name	Net price
1	07801	:	:		Hand torch head + handgrip + electrode, tip and shield cap	720.18 €
2	NW04280C		■		Handgrip with microswitch	21.59 €
3	07811	:	:		Machine torch head + machine handle + electrode, tip and shield cap	720.18 €
4	07215			■	Machine handle	47.44 €
5	52750/OR	:	:		Electrode with O-Ring	3.07 €
6	51269	:	:		Nozzle fi0.8 30A	2.22 €
	51270	:	:		Nozzle fi1.0 50A	2.22 €
	51271	:	:		Nozzle fi1.3 80A	2.30 €
	51272	:	:		Nozzle fi1.6 120A	2.70 €
7	80054	:	:		Shield cap	6.38 €
	60354	:	:		Shield cap (fiberglass)	19.83 €
8	80057	:	:		Retaining cap	5.29 €
9	60374	:	:		Double pointed spacer	17.32 €
10	NW07800.57		■	■	Wrench for electrode	3.01 €
	07880	:	:		Cable 6m - Hand torch	451.32 €
	07885	:	:		Cable 12m - Hand torch	702.04 €
	07890	:	:		Cable 6m - Machine torch	457.58 €
	07895	:	:		Cable 12m - Machine torch	708.32 €

[H] - parts apply to hand torch,  
 [M] - parts apply to machine torch

NW ® is independent subject and not connected to ABITIG®, AMPHENOL®, ASPA®, BESTER®, BINZEL®, CEA®, CEBORA®, ESAB®, EWM®, FALTIG®, FRO®, FRONIUS®, HARRIS®, HYPERTHERM®, KJELLBERG®, L-TEC®, LINCOLN®, MAGNUM®, OTC®, SAF®, SHERMAN®, TELWIN®, THERMAL DYNAMICS®, TRAFIMET®, TUCHEL®.

Reference numbers and names belonged to above companies were called due to Property Right Law for buyer's convenience and they are related to code and spare part's description.

The products do not constitute an offer within the meaning of the Civil Code.