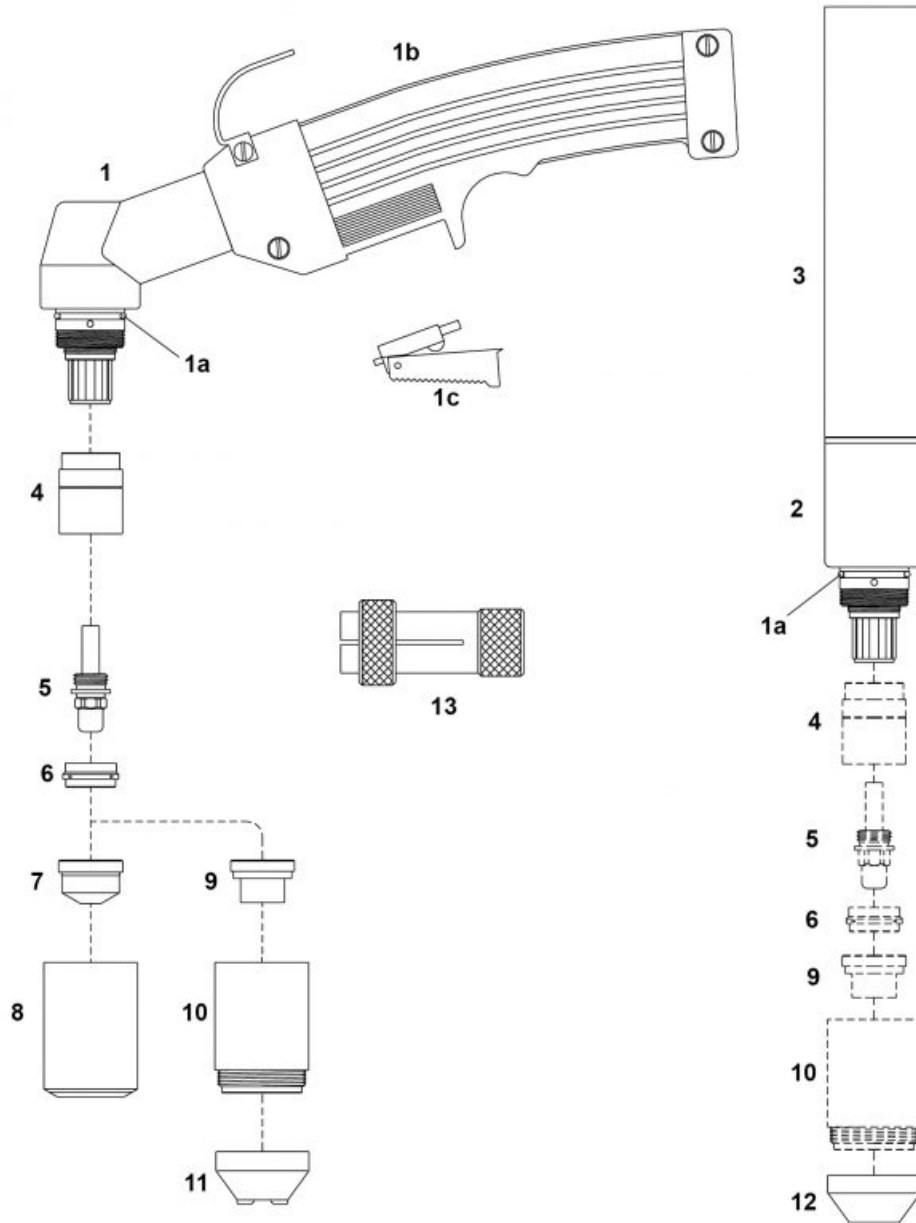


PLAZMA - Consumables - HYPER THERM® - MAX80/100® / PAC130®



Lp.	Product code	Nr ref.	Product name	Net price
1	07400/KIT		Hand torch body	232.09 €
1a	NW06000.60		O-ring	0.96 €
2	07410		Machine torch body	232.09 €
3	07215		Machine handle	47.44 €
4	NW60080		Front insulator	29.83 €
5	52520/TD		Electrode	3.35 €
6	60010		Swirl ring	8.87 €
7	51120		Tip 40A fi 1.0	2.34 €
	51121		Tip 80A fi 1.3	2.55 €
	51122		Tip 100A fi 1.5	2.55 €
8	60310		Retaing cap	19.30 €
9	51400		Contact tip 80A fi 1,3	2.67 €

Lp.	Product code	Nr ref.	Product name	Net price
	51401		Contact tip 100A fi 1.5	3.34 €
10	60340/TD		Contact retaining cap	29.80 €
	60340V/TD		Contact retaining cap Max Life	46.14 €
11	51930/TD		Spacer, hand contact cutting	11.81 €
12	51935/TD		Shield cap, machine	12.82 €
13	NW60369		Extractor for swirl ring	12.48 €
	07480		Cable, 7.5m - hand torch	280.09 €
	07485		Cable, 15m - hand torch	520.67 €
	07490		Cable 7.5m - machine torch	280.09 €
	07495		Cable 15m - machine torch	520.67 €

NW ® is independent subject and not connected to ABITIG®, AMPHENOL®, ASPA®, BESTER®, BINZEL®, CEA®, CEBORA®, ESAB®, EWM®, FALTIG®, FRO®, FRONIUS®, HARRIS®, HYPERTHERM®, KJELLBERG®, L-TEC®, LINCOLN®, MAGNUM®, OTC®, SAF®, SHERMAN®, TELWIN®, THERMAL DYNAMICS®, TRAFIMET®, TUCHEL®.

Reference numbers and names belonged to above companies were called due to Property Right Law for buyer's convenience and they are related to code and spare part's description.

The products do not constitute an offer within the meaning of the Civil Code.