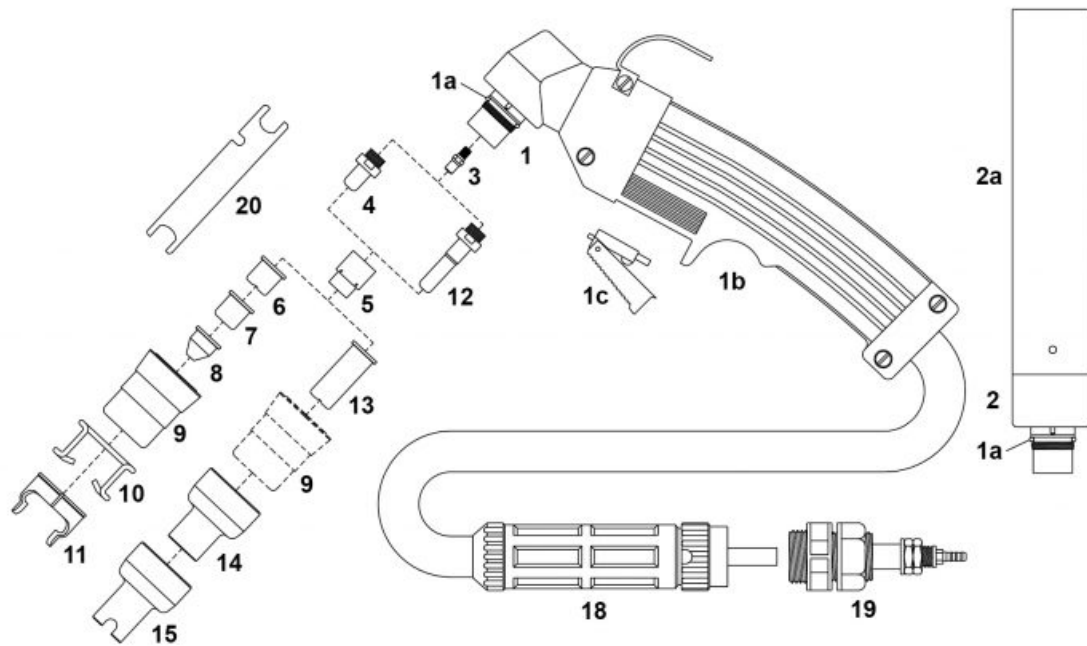


PLAZMA - Consumables - EWS® LINCOLN® - EX 40- 2V - EX 60 / T70®



Lp.	Product code	Nr ref.	Product name	Net price
1	03270		Hand torch head	115.15 €
1a	NW01000.60		O-ring	0.99 €
1b	07301		Handgrip with microswitch	14.22 €
1c	NW07301.20		Microswitch	2.94 €
2	NW03370		Machine torch head	128.65 €
2a	NW03310		Machine handle	52.00 €
3	NW01070.42		Diffusor	2.97 €
4	NW52551		Electrode	1.89 €
5	NW60001		Swirl ring	9.67 €
6	NW51100.09		Tip fi 0.9 35A	1.57 €
	NW51095		Tip fi 1.0 50A Long Life	1.35 €
	NW51100S		Tip fi 1.1 70A Long Life	1.35 €
	NW51096		Tip fi 1.2 70A Long Life	1.56 €
	51100.12		Flat tip fi 1.2 70A	1.35 €
7	51099		Flat tip fi 1.0	1.46 €
	51099.12		Flat tip fi 1.2	1.46 €
8	NW51098		Conical tip fi 1.0	2.23 €
	NW51098.12		Conical tip fi 1.2	2.23 €
9	NW60321		Retaining cap	7.72 €
10	NW51901		Spacer spring	2.18 €
11	NW60363		Double pointed spacer	8.91 €
12	NW52553		Extended electrode	2.37 €
13	NW51102.09		Extended tip fi 0.9 35A	1.96 €
	NW51095L		Extended tip fi 1.0 50A Long Life	2.06 €
	NW51102S		Extended tip fi 1.1 60A Long Life	2.16 €

Lp.	Product code	Nr ref.	Product name	Net price
	NW51096L		Extended tip fi 1.2 70A Long Life	2.06 €
14	NW51970		Shield cap, hand	8.24 €
15	NW51971		Spacer, contact cutting	9.85 €
18	04260-EWS		Central connector torch side	36.42 €
19	04265-EWS		Central connector machine side	35.37 €
20	NW60368		Wrench for electrode	2.71 €
	03241		Cable, 6m, 1/8", Hand torch	106.57 €
	03251		Cable, 12m, 1/8", Hand torch	173.38 €
	03321		Cable, 6m, 1/8", Machine torch	113.30 €
	03331		Cable, 12m, 1/8", Machine torch	177.30 €

NW ® is independent subject and not connected to ABITIG®, AMPHENOL®, ASPA®, BESTER®, BINZEL®, CEA®, CEBORA®, ESAB®, EWM®, FALTIG®, FRO®, FRONIUS®, HARRIS®, HYPERTHERM®, KJELLBERG®, L-TEC®, LINCOLN®, MAGNUM®, OTC®, SAF®, SHERMAN®, TELWIN®, THERMAL DYNAMICS®, TRAFIMET®, TUCHEL®.

Reference numbers and names belonged to above companies were called due to Property Right Law for buyer's convenience and they are related to code and spare part's description.

The products do not constitute an offer within the meaning of the Civil Code.