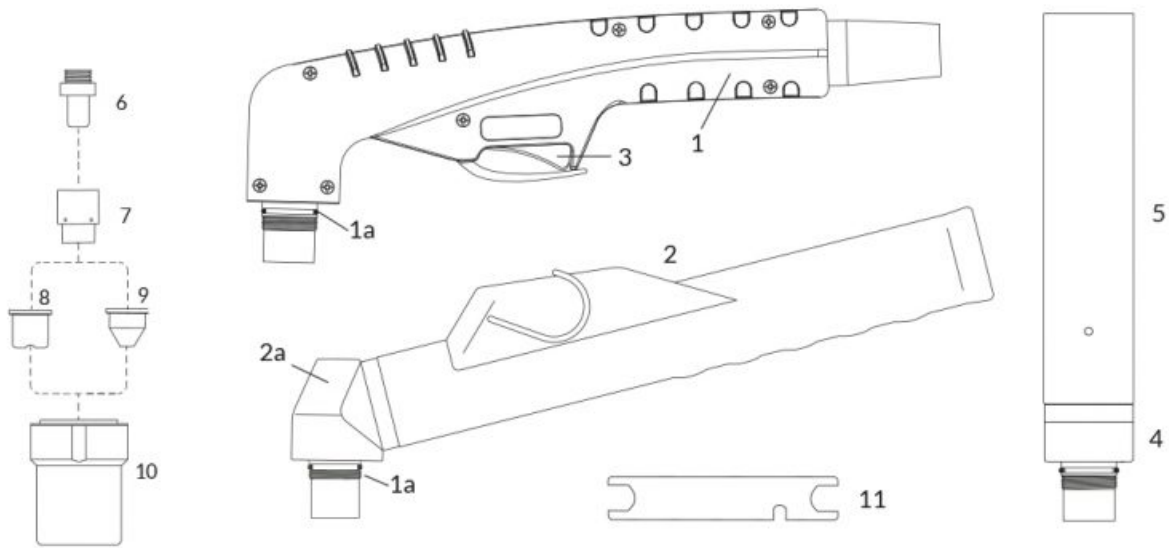


PLAZMA – Consumables – CEBORA® – P50 / P35HF®



Lp.	Product code	[H]	[M]	Nr ref.	Product name	Net price
1	NW01001KIT	■			Hand torch head with handgrip	86.75 €
1a	NW01000.60	■	■		O-ring	0.96 €
2	NW03280C	:	:		Handgrip with microswitch	20.75 €
2a	NW01000	:	:		Hand torch head	99.03 €
3	NW07301.20	■			Microswitch	2.86 €
4	NW03300		■		Machine torch head	115.16 €
5	NW03310		■		Machine handle	50.49 €
6	NW52512L	■	■		Electrode	2.28 €
7	NW60001	■	■		Swirl ring	9.39 €
8	NW51100	■	■		Tip fi 1.0	1.31 €
	NW51095	:	:		Tip fi 1.0 50A Long Life	1.31 €
	NW51100S	■	■		Tip fi 1.1 70A Long Life	1.24 €
9	NW51098	■	■		Conical tip fi 1.0	2.16 €
10	NW60320	■	■		Retaining cap	8.12 €
11	NW60368	■	■		Wrench for electrode	2.63 €
	NW03240	■			Cable, 6m 1/8", Hand torch	98.68 €
	NW03320		■		Cable, 6m, 1/8", Machine torch	108.79 €

NW ® is independent subject and not connected to ABITIG®, AMPHENOL®, ASPA®, BESTER®, BINZEL®, CEA®, CEBORA®, ESAB®, EWM®, FALTIG®, FRO®, FRONIUS®, HARRIS®, HYPER THERM®, KJELLBERG®, L-TEC®, LINCOLN®, MAGNUM®, OTC®, SAF®, SHERMAN®, TELWIN®, THERMAL DYNAMICS®, TRAFIMET®, TUCHEL®.

Reference numbers and names belonged to above companies were called due to Property Right Law for buyer's convenience and they are related to code and spare part's description.

The products do not constitute an offer within the meaning of the Civil Code.