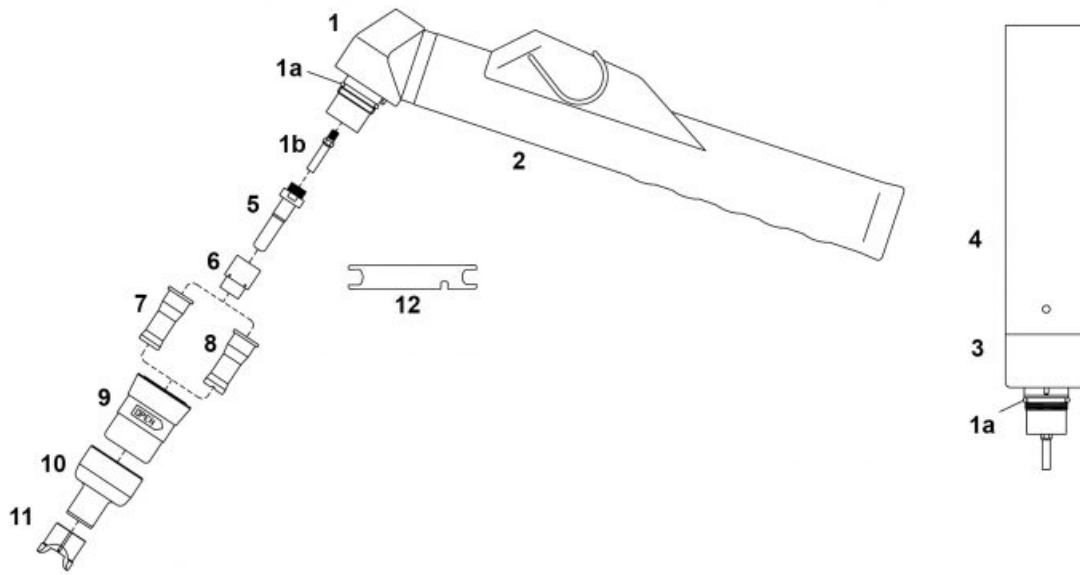


PLAZMA – Consumables- CEBORA® – CP-90 / CP-91 / PC5060/T / PC6060/T PC9060/T / P55 / P80®



Lp.	Product code	Nr ref.	Product name	Net price
1	NW01090		Hand torch head	
1a	NW01000.60		O-ring	1.05 €
1b	NW01070.42		Diffusor	3.17 €
2	NW04280C		Handgrip with microswitch	23.73 €
3	03390		Machine torch head	
4	NW03310		Machine handle	55.48 €
5	NW52553		Extended electrode	2.52 €
6	NW60001		Swirl ring	10.31 €
7	51090		Tip fi 1.0 20-50A Long Life	2.02 €
8	51092		Tip fi 1.2 50-70A Long Life	2.02 €
	51093		Tip fi 1.3 70-90A Long Life	2.02 €
9	60322		Retaining cap	7.74 €
10	51972		Shield cap, hand	8.19 €
11	51973		Spacer for contact cutting hand	11.00 €
12	NW60368		Wrench for electrode	2.89 €
	03093/S		Cable 6m, 1/8", hand, ready for central connector	
	03493/S		Cable, 6m, 1/8", machine, ready for central connector	

NW ® is independent subject and not connected to ABITIG®, AMPHENOL®, ASPA®, BESTER®, BINZEL®, CEA®, CEBORA®, ESAB®, EWM®, FALTIG®, FRO®, FRONIUS®, HARRIS®, HYPERTHERM®, KJELLBERG®, L-TEC®, LINCOLN®, MAGNUM®, OTC®, SAF®, SHERMAN®, TELWIN®, THERMAL DYNAMICS®, TRAFIMET®, TUCHEL®.

Reference numbers and names belonged to above companies were called due to Property Right Law for buyer's convenience and they are related to code and spare part's description.

The products do not constitute an offer within the meaning of the Civil Code.